

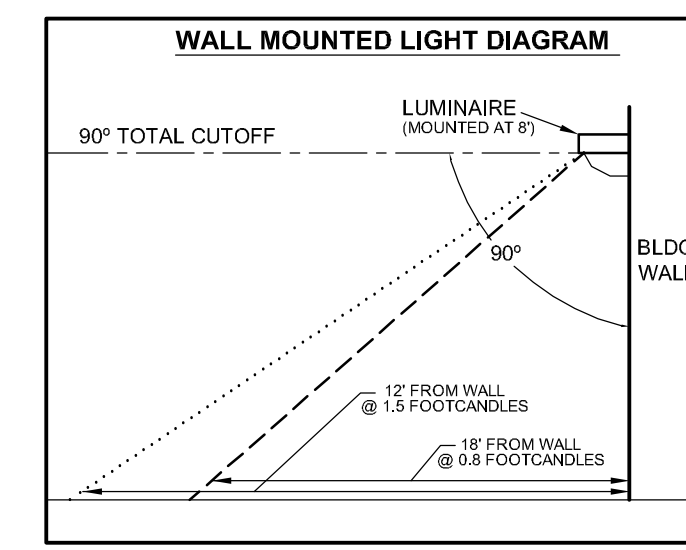
DISPLAY OF 0.8 MAINTAINED HORIZONTAL ILLUMINANCE (IN FOOTCANDLES) FROM ALL PROPOSED LIGHTING FIXTURES

DISPLAY OF 1.5 MAINTAINED HORIZONTAL ILLUMINANCE (IN FOOTCANDLES) FROM ALL PROPOSED LIGHTING FIXTURES

LIGHTING REQUIREMENTS:

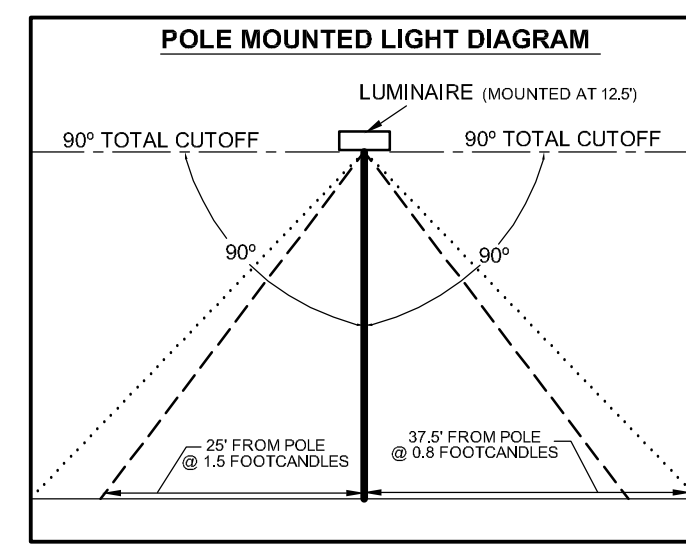
PARKING AREA FIXTURES - ALL PARKING AREA LIGHTING WILL BE FULL CUT-OFF TYPE FIXTURES

BUILDING LIGHTING - ALL BUILDING LIGHTING FOR SECURITY OR AESTHETIC WILL BE FULL CUT-OFF OR A SHIELDED TYPE, NOT ALLOWING ANY UPWARD DISTRIBUTION OF LIGHT. FLOOD LIGHTING IS DISCOURAGED, AND IF USED, MUST BE SHIELDED TO PREVENT:
 - DISABILITY GLARE FOR DRIVERS OR PEDESTRIANS
 - LIGHT TRESPASS BEYOND THE PROPERTY LINE
 - LIGHT ABOVE A 90°, HORIZONTAL PLANE (UNSHIELDED WALLPACK TYPE FIXTURES ARE NOT ACCEPTABLE)



WALL-MOUNTED LIGHTING NOTES:

ESTIMATED PARKING LOT LEVEL OF ACTIVITY (PER IES STANDARDS): **LOW-MEDIUM**
 MAX. M.H.I. IN FOOTCANDLES: 0.8 - 2.4
 AVERAGE MAINTAINED HORIZONTAL ILLUMINATION (M.H.I.) IN FOOTCANDLES (DESIRED): 1.5
 TYPICAL SIZE OF AREA TO BE ILLUMINATED (PER LUMINAIRE): 1,000 SQ. FT.
 RECOMMENDED LIGHT SOURCE TYPE: METAL HALIDE
 LAMP WATTS PER SQUARE FOOT: 0.04
 TOTAL WATTS NEEDED (PER 1,000 SQ. FT. AREA): 40
 RECOMMENDED LUMINAIRE (WALL MOUNT ONLY): CUT-OFF (ANSI IES) TYPE 2 OR 3, 50 WATTS (OR EQUIVALENT)
 MOUNTING HEIGHT (ON BUILDING): 8' FROM GRADE



POLE-MOUNTED LIGHTING NOTES:

ESTIMATED PARKING LOT LEVEL OF ACTIVITY (PER IES STANDARDS): **LOW-MEDIUM**
 MAX. M.H.I. IN FOOTCANDLES: 0.8 - 2.4
 AVERAGE MAINTAINED HORIZONTAL ILLUMINATION (M.H.I.) IN FOOTCANDLES (DESIRED): 1.5
 TYPICAL SIZE OF AREA TO BE ILLUMINATED (PER LUMINAIRE): 2,000 SQ. FT.
 RECOMMENDED LIGHT SOURCE TYPE: METAL HALIDE
 LAMP WATTS PER SQUARE FOOT: 0.04
 TOTAL WATTS NEEDED (PER 2,000 SQ. FT. AREA): 80
 RECOMMENDED LUMINAIRE (POLE MOUNT ONLY): HOODED OR CUT-OFF (ANSI IES) TYPE 5, 100 WATTS (OR EQUIVALENT)
 MOUNTING HEIGHT (ON POLE): 12.5' FROM GRADE

SITE PLAN LIGHTING DETAIL SHEET
 TAX MAP 236 LOT 49.1
 371 ROUTE 125
 BARRINGTON, STRAFFORD COUNTY
 NEW HAMPSHIRE
 PREPARED FOR
AROMA JOE'S COFFEE

THE PURPOSE OF THIS SHEET IS TO ACCURATELY DISPLAY THE PROPOSED LIGHTING LAYOUT AND DETAILS FOR THE ATTACHED SITE PLAN. FOR ALL OTHER PROPOSED IMPROVEMENTS TO THIS SITE SEE SHEETS 2 & 3.

AUGUST 10, 2010 SCALE 1" = 10' PLAN # 1160

Geometres Blue Hills, LLC
 PO BOX 277
 HORNETOWN ROAD
 FARRINGTON, NH 03825-0277
 603-559-2367
 LAND SURVEYING
 LAND USE CONSULTING
 SEPTIC SYSTEM DESIGN
 ENVIRONMENTAL CONSULTING

SHEET
4 OF 4